

EQUITY™ Continuous Slot Die Applicator

The EQUITY™ Continuous Slot Die is a reliable and long-lasting applicator with many money-saving features, making it the best value available in its class today. Along with durability comes the accuracy of $\pm 10\%$ cross web adhesive distribution. Also, our easy-cut shims are designed to save you money with the ability to cut to size without special tools.

EQUITY™ Continuous Slot Die:

- Modular sections permit width expansion in 50 mm increments.
- Flexible adhesive pattern for full coating, strip or multi-line.
- Exceptional cross web adhesive distribution of $\pm 10\%$.
- Quick-change slot nozzle provides easy replacement.
- Reversible filter block with multi-port entry.

Flexibility

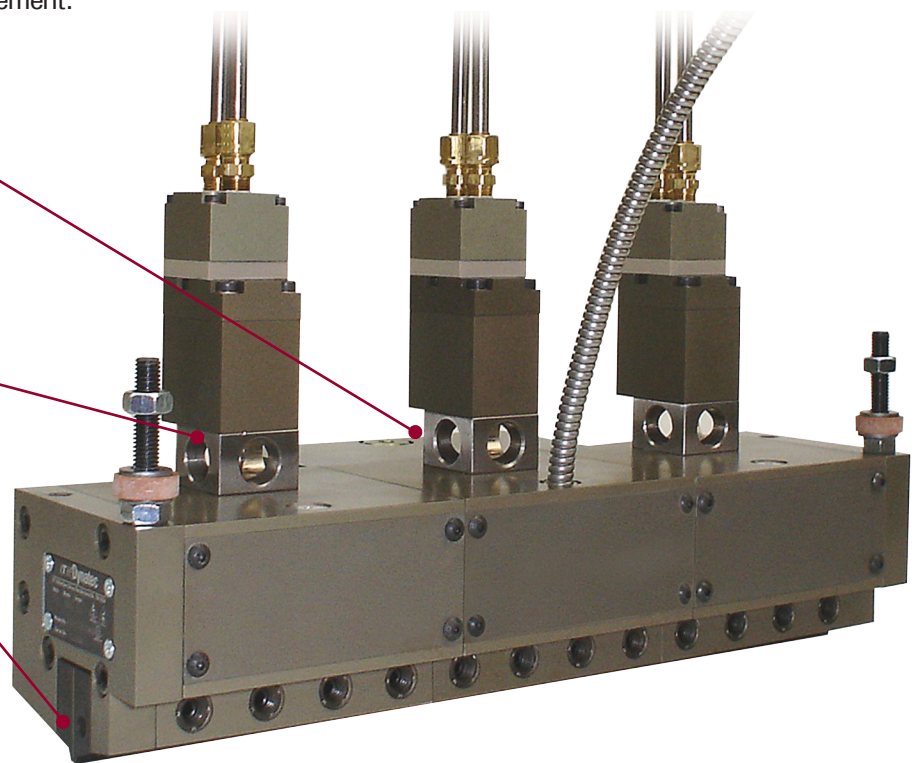
Separate glue input for each modular section or one common glue input for entire applicator.

Simplicity

Various application widths available with replaceable shims for easy pattern adjustment.

Reliability

The most accurate cross-web adhesive distribution in its class.



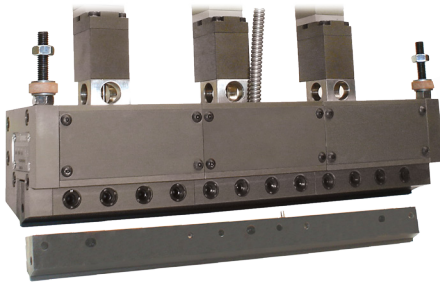
EQUITY™ Continuous Slot Die

The Dynatec *Difference*

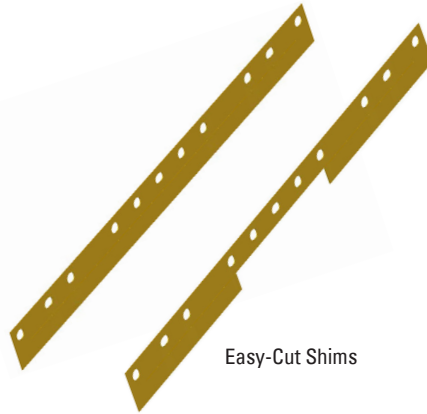
Money-Saving Easy-Cut Shims

ITW Dynatec's patented Easy-Cut Shim system was designed for flexibility with you in mind. Available in solid brass or stainless steel, our shims are perforated to cut easily for an exact fit. Shims are offered in standard .15 mm thickness as well as .20, .30, .40 and .50 mm thickness. While our easy-cut shims are ideal for simple pattern

applications, they can also be customized to specific, more complex patterns without perforations to fit your needs.



Standard Quick-Change Slot Die

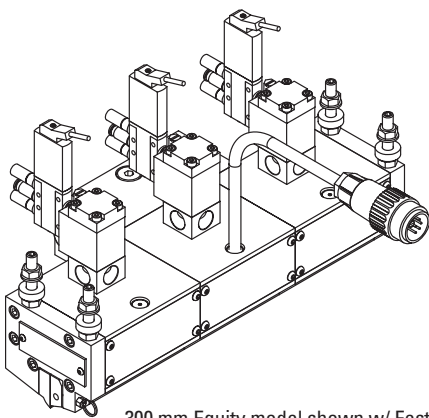


Easy-Cut Shims

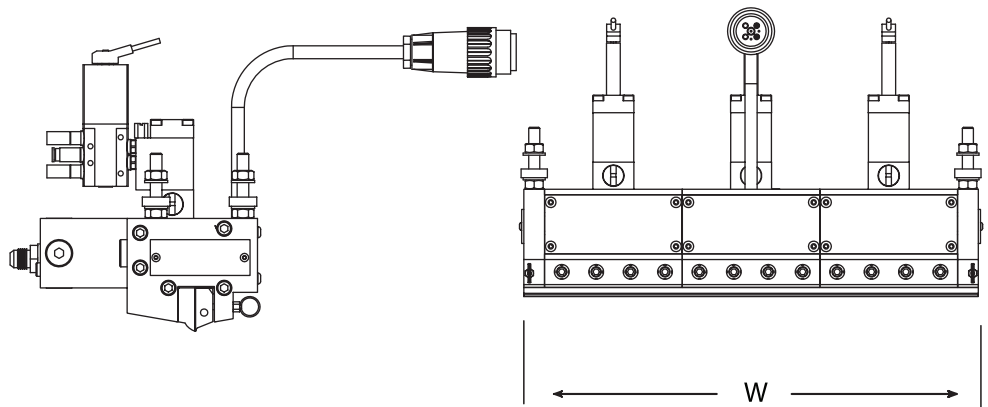
Available Head Widths	Modules/Control Zones	Max Coating Width
130 mm (3.94 in)	1 module/1 zone	100 mm (3.94 in)
180 mm (5.91 in)	1 module/1 zone	150 mm (5.91 in)
230 mm (7.87 in)	2 modules/1 zone	200 mm (7.87 in)
280 mm (9.84 in)	2 modules/1 zone	250 mm (9.84 in)
330 mm (11.81 in)	3 modules/1 zone	300 mm (11.81 in)
380 mm (13.78 in)	3 modules/2 zones	350 mm (13.78 in)
430 mm (15.75 in)	4 modules/2 zones	400 mm (15.75 in)
480 mm (17.72 in)	4 modules/2 zones	450 mm (17.72 in)
530 mm (19.69 in)	5 modules/2 zones	500 mm (19.69 in)
580 mm (21.65 in)	5 modules/2 zones	550 mm (21.65 in)
630 mm (23.62 in)	6 modules/2 zones	600 mm (23.62 in)
680 mm (25.59 in)	6 modules/3 zones	650 mm (25.59 in)
730 mm (27.56 in)	7 modules/3 zones	700 mm (27.56 in)
780 mm (29.53 in)	7 modules/3 zones	750 mm (29.53 in)
830 mm (23.50 in)	8 modules/3 zones	800 mm (31.50 in)
880 mm (33.46 in)	8 modules/3 zones	850 mm (33.46 in)
930 mm (35.43 in)	9 modules/3 zones	900 mm (35.43 in)

Physical System	Details
Mounting	M8 screws with insulators
Body Construction	Coated Aluminum
Slot Die Construction	D2 Hardened Steel
Solenoid	Tube, Manifold or Module Mount
Filtration	Filter Manifold Optional
Supply Voltage	200 to 240 VAC / 1 Phase 50 to 60 Hz

Physical System	Details
Operating Temperature Range	38° C to 200° C (100° F to 390° F)
Warm-Up Time	20 mins - Cold Start 1 min - Module Change Only
Adhesive Viscosity	100 to 40,000 cps
Adhesive Pressure Range	7 bar to 68 bar (100 psi to 1000 psi)
Air Pressure Range	5 to 9 bar (74 to 125 psi)
Control Zones	As specified, 2400 W maximum depending on temperature control unit



300 mm Equity model shown w/ Festo solenoid



CHINA
ITW Dynatec Suzhou
Unit2, B1 Building
No.9 Weixin Road
SIP, Suzhou, China 215122
Telephone +86.512.6289.0620
Fax +86.512.6289.0621
dynamatecsuzhou@itwdynatec.cn

AMERICAS
ITW Dynatec
31 Volunteer Drive
Hendersonville, TN 37075
Telephone 615-824-3634
+1.800.860.6150
Fax +1.615.264.5248
dynatec@itwdynatec.com

JAPAN
ITW Dynatec K.K.
Tsukimura Building 5th Floor
26-11, Nishikamata 7-chome
Ota-ku, Tokyo 144-0051, Japan
Telephone +81.3.5703.5501
Fax +81.3.5703.5505
info@itwdynatec.co.jp

EUROPE, AFRICA & MIDDLE EAST
ITW Dynatec GmbH
Industriestrasse 28
D-40822 Mettmann, Germany
Telephone +49.210.4915.0
Fax +49.210.491.5111
e.mail@itwdynatec.de

ITW Dynatec TenPlus
ZI Croix de Raville
28500 Cherisy, France
Telephone +33(0)2.37.62.56.47
Fax +33(0)2.37.62.56.40
info@itwdynatec.fr