

ADS1 DynaFill™ Adhesive Delivery System

The ADS1 DynaFill™ automatically replenishes adhesive to the desired level in hot melt equipment. A low level indicator sends a signal to the DynaFill™ that adhesive is needed. The DynaFill™ then activates a venturi that draws the adhesive into a positive pressure air stream and deposits it into the hot melt unit.

ADS1 DynaFill™:

- On-demand adhesive replenishment saves operator time and prevents thermal shock to adhesive.
- Automatically feeds units up to 20 feet vertically and 100 feet horizontally.
- Adhesive wand can be used in various containers for efficient adhesive delivery.
- Alarm indicator lights alert fill/no fill status.
- Stainless steel construction for corrosion resistance.
- Transparent container clearly shows adhesive level.

Flexibility

The DynaFill™ is compatible with most ITW Dynatec and/or competitive hot melt machine configurations.

Energy Efficiency

Low air consumption of only 20 SCFM at 50 psi during adhesive feeding.

Reliability

Automatically maintains adhesive supply levels with a sealed system that virtually eliminates system contamination.



ADS1 DynaFill™
shown with optional castor base.

The Dynatec *Difference*

Flexibility

The DynaFill™ has been designed to give the customer more flexibility in manufacturing operations. The adhesive wand can be placed in most adhesive containers, from boxes and plastic containers to bulk manufacturer's shipping containers.

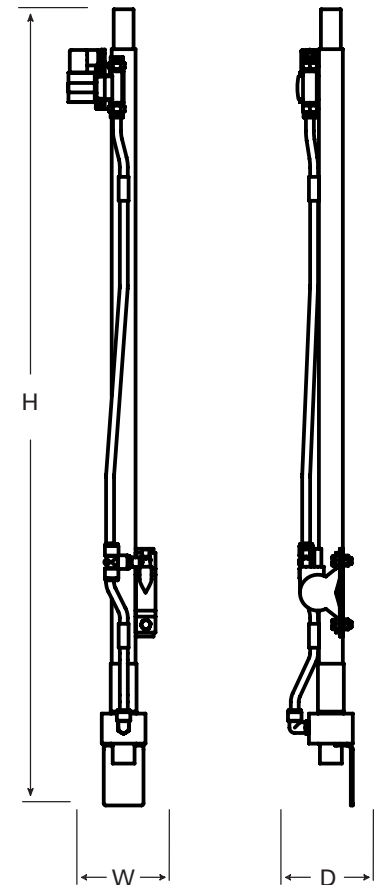
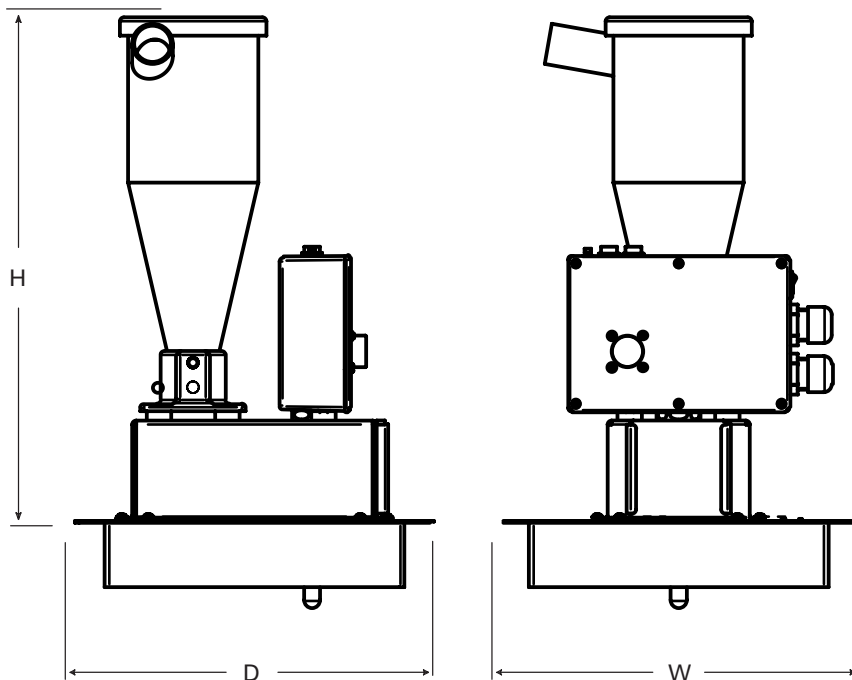
System	ADS1 DynaFill™
Adhesive Size	Up to 1/2" Slat
Adhesive Capacity	55 gal or 114 kg (250 lbs)
Adhesive Transfer Rate*	340kg (750 lbs)/hour
Adhesive Transfer Length	Up to 6m (20ft) vertically and 30.5m (100ft) horizontally
Operating Air	Minimum: 3.5 bar (.35Mpa or 50psi) Maximum: 5.5 bar (.55MPa or 80psi)
Air Consumption	566 Liters/min (20scfm) when feeding
Air Connection	1" supply to 1/2" tube connection at unit

*Transfer rates are dependent upon adhesive type.

Dimensions	Wand	Lid Assembly*
Height (H)	123 cm (48in)	48 cm (19in)
Depth (D)	15 cm (6in)	27 cm (10.75in)
Width (W)	15 cm (6in)	27cm (10.75in)

Optional Features
<ul style="list-style-type: none"> • Caster base for mobility • Capabilities for audible alarm or secondary stack light

*Lid sizes vary depending on type of adhesive supply unit being fed.



CHINA
 ITW Dynatec Suzhou
 Unit2, B1 Building
 No.9 Weixin Road
 SIP, Suzhou, China 215122
 Telephone +86.512.6289.0620
 Fax +86.512.6289.0621
 dynatecsuzhou@itwdynatec.cn

AMERICAS
 ITW Dynatec
 31 Volunteer Drive
 Hendersonville, TN 37075
 Telephone 615-824-3634
 +1.800.860.6150
 Fax +1.615.264.5248
 dynatec@itwdynatec.com

JAPAN
 ITW Dynatec K.K.
 Tsukimura Building 5th Floor
 26-11, Nishikamata 7-chome
 Ota-ku, Tokyo 144-0051, Japan
 Telephone +81.3.5703.5501
 Fax +81.3.5703.5505
 info@itwdynatec.co.jp

EUROPE, AFRICA & MIDDLE EAST
 ITW Dynatec GmbH
 Industriestrasse 28
 D-40822 Mettmann, Germany
 Telephone +49.210.4915.0
 Fax +49.210.491.5111
 e.mail@itwdynatec.de

ITW Dynatec TenPlus
 ZI Croix de Raville
 28500 Cherisy, France
 Telephone +33(0)2.37.62.56.47
 Fax +33(0)2.37.62.56.40
 info@itwdynatec.fr